



# 4560-01

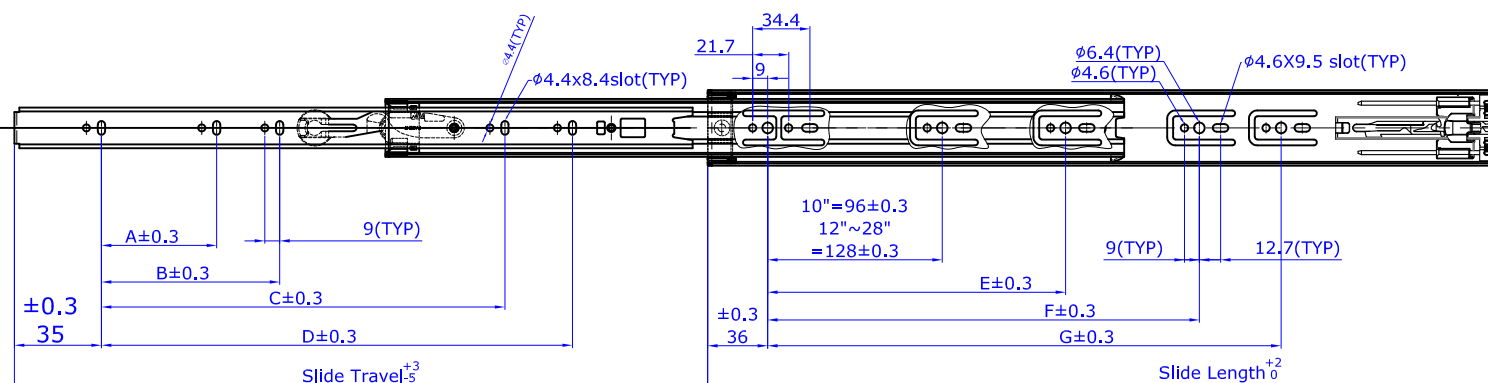


## PUSH-OPEN DRAWER SLIDE

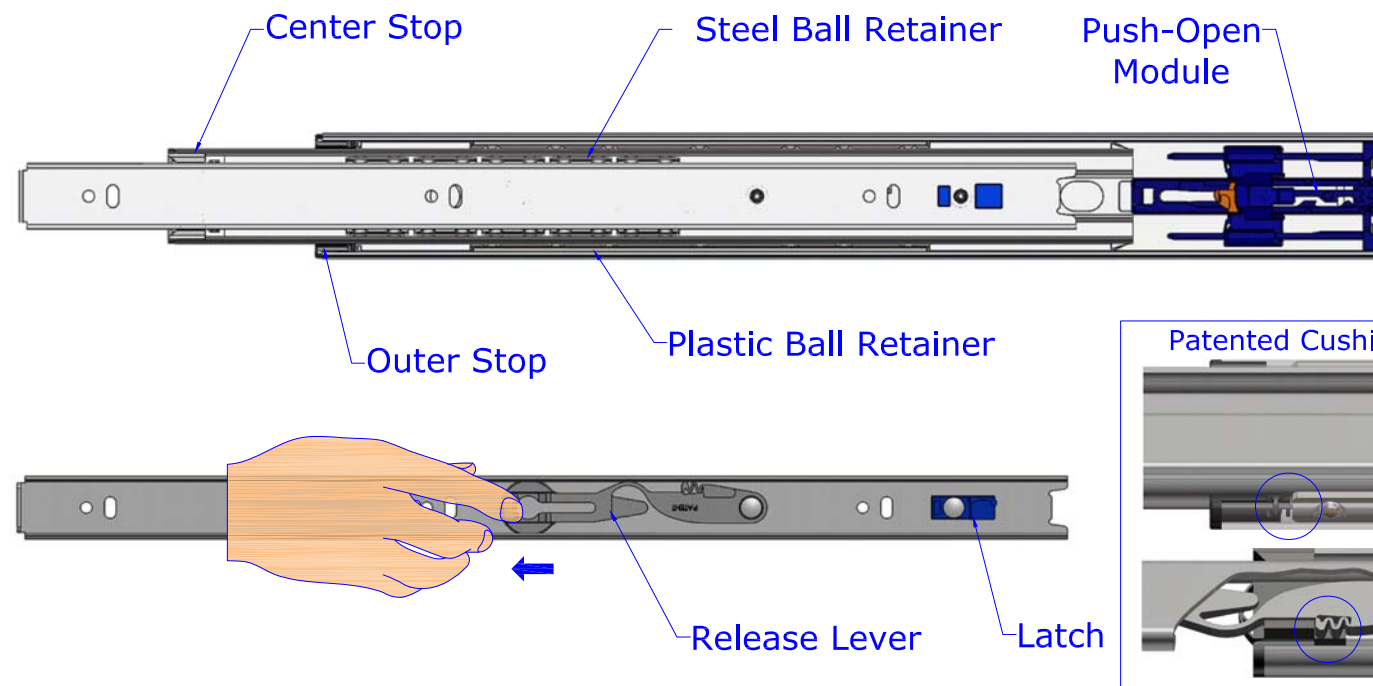
<b>Mounting</b>	Side	<p><b>Profile</b></p>
<b>Side Clearance</b>	12.7mm +0.8/0	
<b>Height</b>	45.5mm	
<b>Material</b>	Steel	
<b>Load Rating</b>	45 kg at 18" (450mm)	
<b>Size</b>	10" to 28" (250mm to 700mm)	
<b>Disconnect</b>	Lever (Non-handed design)	
<b>Finish</b>	Electro-Zinc plated with clear, yellow or black chromate	

All Dimensions are in Millimeters (mm)

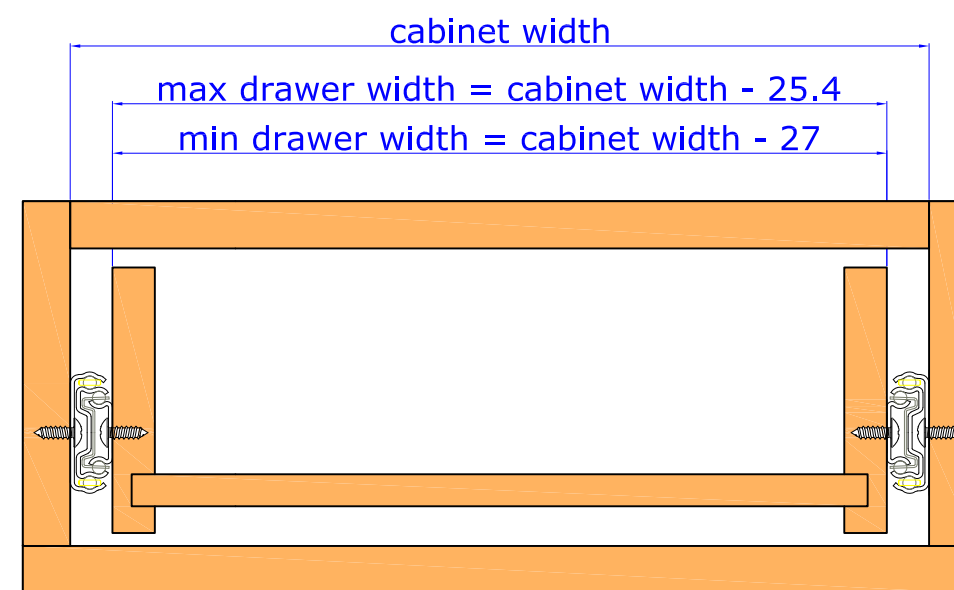
## Slide Dimensions



SIZE	Slide Length	Slide Travel	Load Rating/Kg	A	B	C	D	E	F	G	mm
10" (250)	250	237.5	20				177				
12" (300)	300	300	25				192				
14" (350)	350	350	35	96			242	192			
16" (400)	400	400	40	128			292	224			
18" (450)	450	450	45	128	302		342	256			
20" (500)	500	500	45	160	334		392	304			
22" (550)	550	550	40	128	192	384	442	256	352		
24" (600)	600	600	40	128	224	434	492	256	416		
26" (650)	650	650	35	128	224	484	542	256	352	464	
28" (700)	700	700	35	128	224	534	592	256	384	512	



## Drawer Slide Mounting Profile



\* max drawer width = slide length + 200 (mm)

## APPLICATIONS:

For use in wood pedestals, dresser, desk, casework, residential and kitchen cabinetry.

