



4570-00

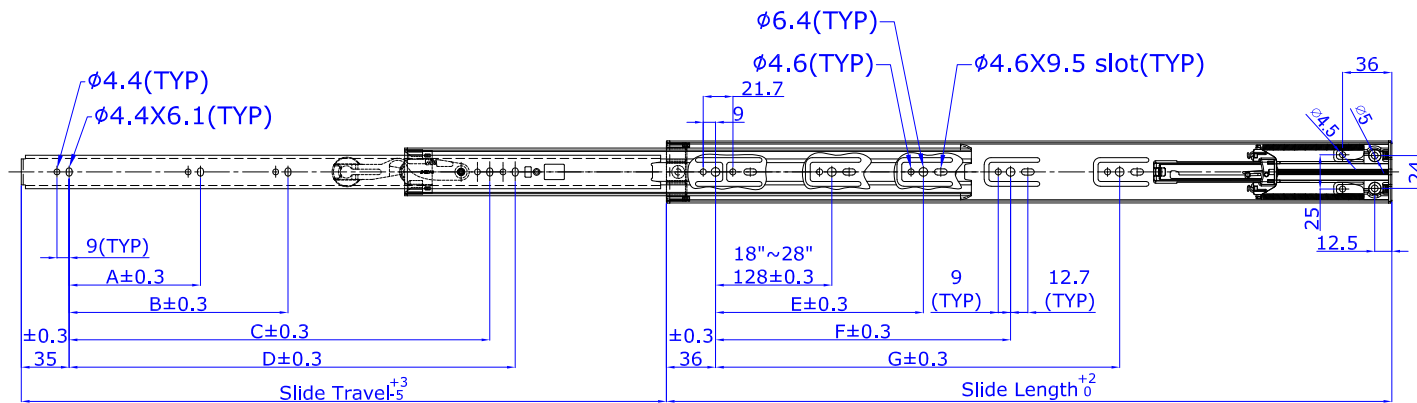


SOFT-CLOSE DRAWER SLIDE

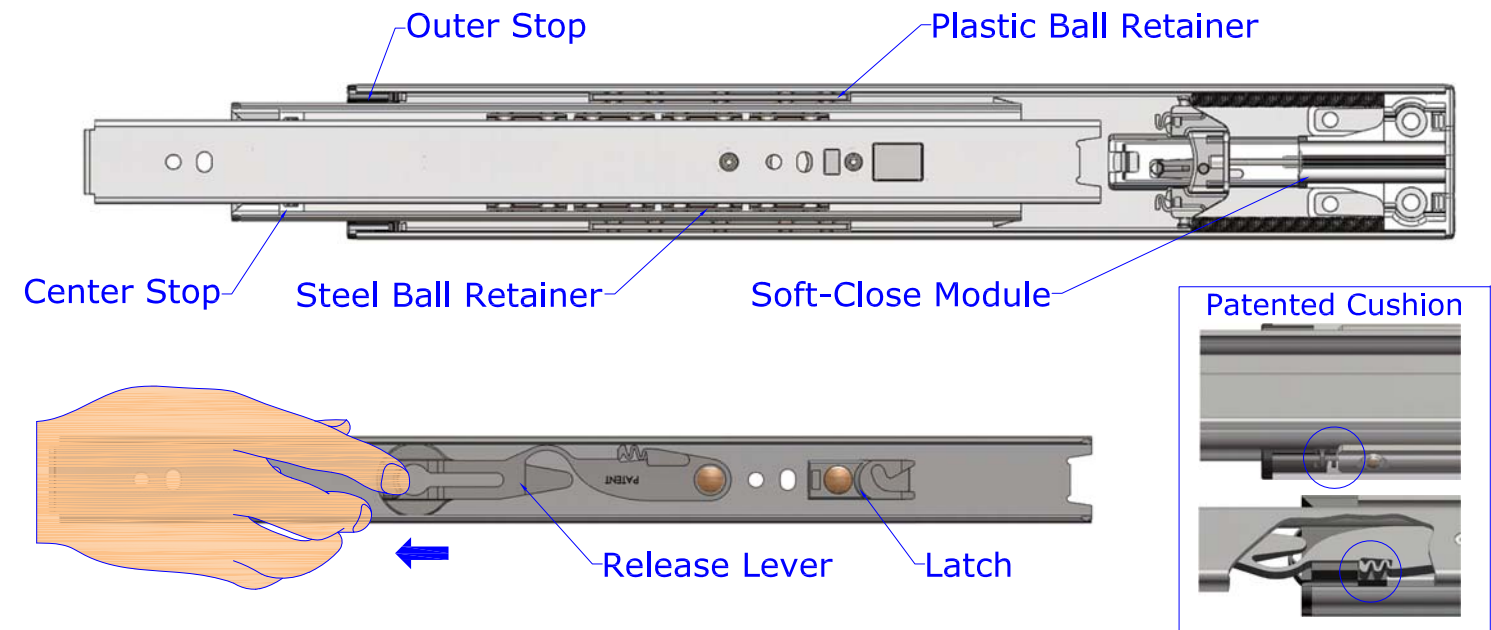
Mounting	Side	<p>Profile</p>
Side Clearance	12.7mm +0.8/0	
Height	45.5mm	
Soft-Closing Stroke	10"-14"=20mm, 16"-28"=55mm.	
Material	Steel	
Load Rating	40kg at 22" (550mm)	
Size	10" to 28" (250mm to 700mm)	
Travel	Full Extension (Sizes 14" to 28")	
Disconnect	Lever (Non-handed design)	
Finish	Electro-Zinc plated with clear, yellow or black chromate	

All Dimensions are in Millimeters (mm)

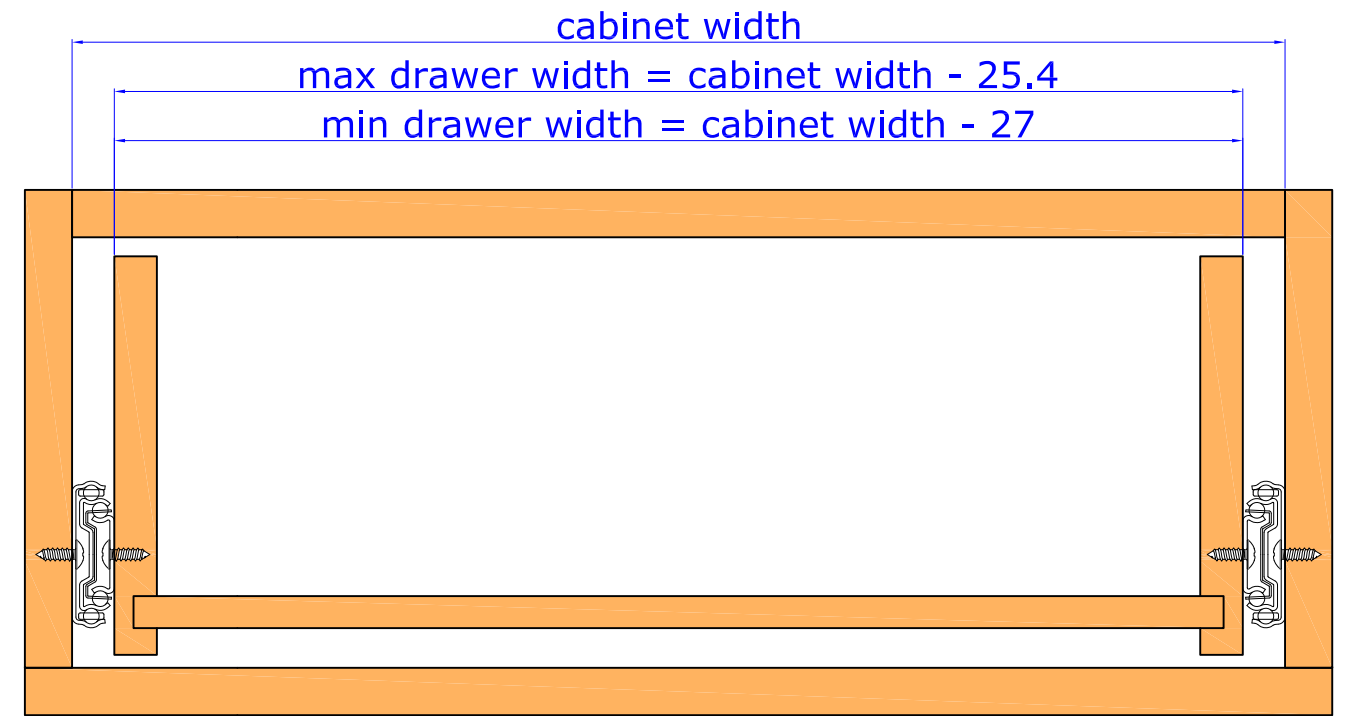
Slide Dimensions



SIZE	Slide length	Slide Travel	Load Rating/Kg	A	B	C	D	E	F	G	mm
10" (250)	250	175	20	124				96			
12" (300)	300	275	20	174				128			
14" (350)	350	350	25	96	224			96	192		
16" (400)	400	400	15	96	235			166			
18" (450)	450	450	25	128	285			216			
20" (500)	500	502	35	96	160	335		266			
22" (550)	550	550	40	96	160	385		224	316		
24" (600)	600	600	30	128	192	435		224	366		
26" (650)	650	650	30	128	224	416	485	224	320	416	
28" (700)	700	700	30	128	224	480	535	224	320	466	



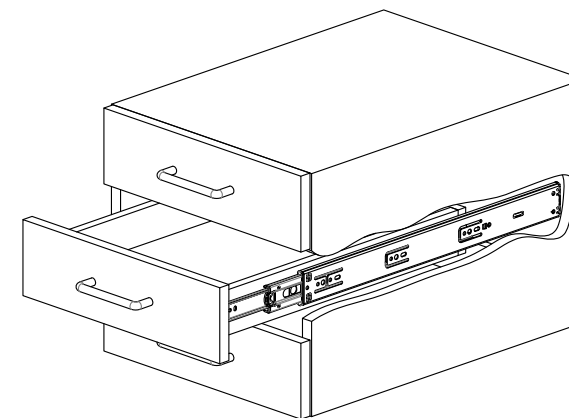
Drawer Slide Mounting Profile



* max drawer width = slide length + 200 (mm)

APPLICATIONS:

For use in wood pedestals, dresser, desk, casework, residential and kitchen cabinetry.



10"-14" 20mm stroke of Soft-Closing
16"-28" 55mm stroke of Soft-Closing

