



GS700B-30 / GS700B-60

SLIDE BACK SOFT-CLOSE HARDWARE FOR HANGING SLIDING DOOR

Optimal Door Specification:

Features:

1. Single slide with bi-directional soft closing and automatic door closing function.
2. Full open the door to position with soft-close function.
3. Maximum soft closing travel: 115mm.

Weight Capacity: GS700B-30:15-30kg ; GS700B-60:30-60kg

Door Thickness: Min. 30mm.

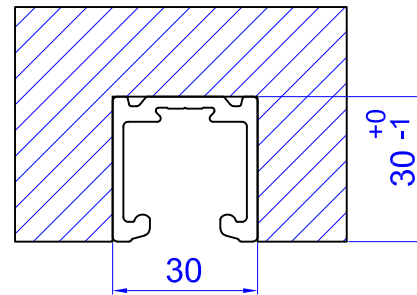
Door width: Max. 1200mm, Min 575mm.

Door Height: Max. 2400mm.

Door Height Adjustment: ± 3 mm with Quick Release Base

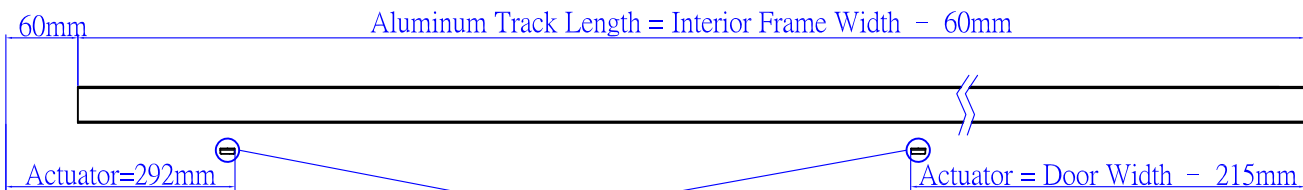
Including Screws: 6 pc's for Aluminum Track; 12 pc's for Quick Release Base

Track Dimension



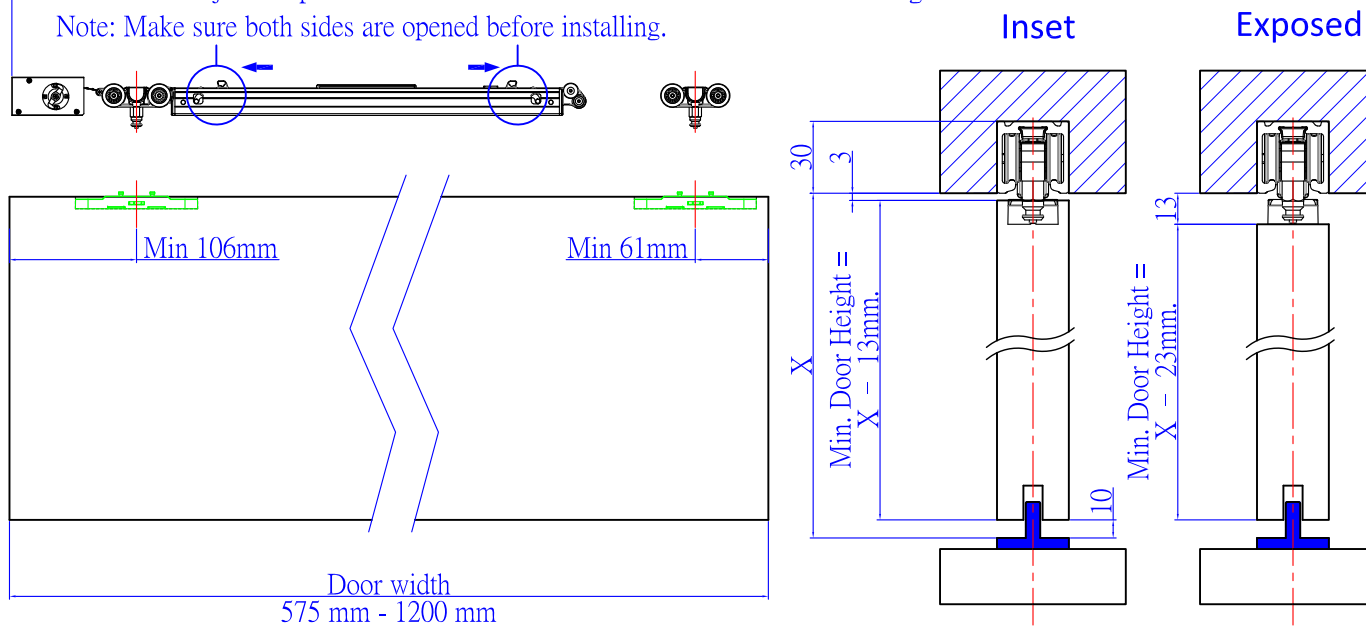
GS 700B Components:

Contents	Bi-Directional Soft-Close Kits with Automatic Door Closer	Actuator	Allen Key	Adjustment Wrench	Quick Release Base	Hanger	Door Bottom Guide	Stop Key	Aluminum Track
Part									
Quantity	1	2	1	1	2	1	1	1	Not Included

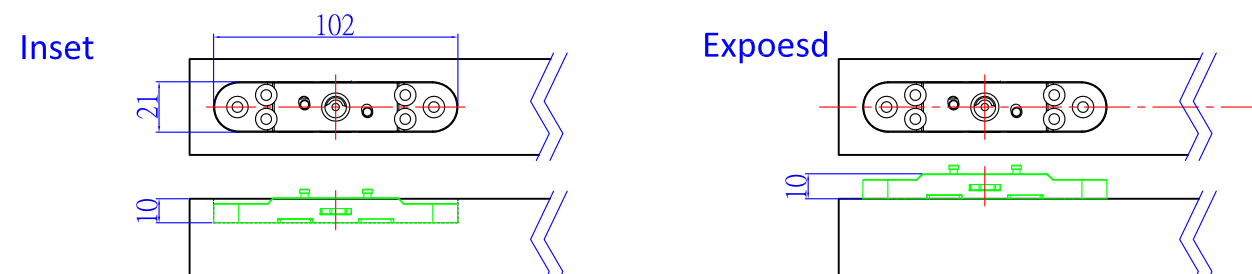


The weight of the door may influence the closing performance of the soft-close kits. Adjust the positions of the two actuators to attain the desired closing results.

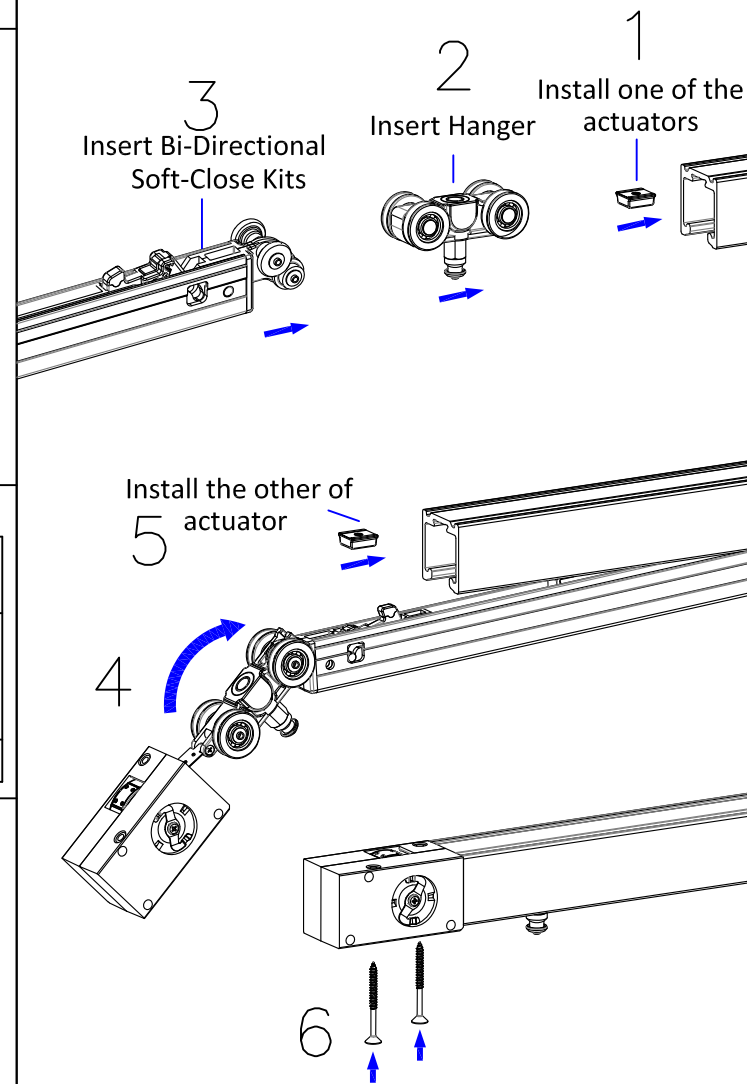
Note: Make sure both sides are opened before installing.



Size of the sink for assembling the quick release base on the door.

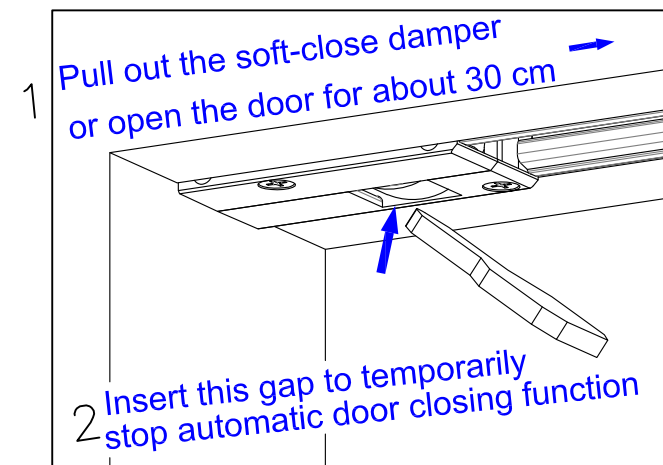


Installation Procedures:

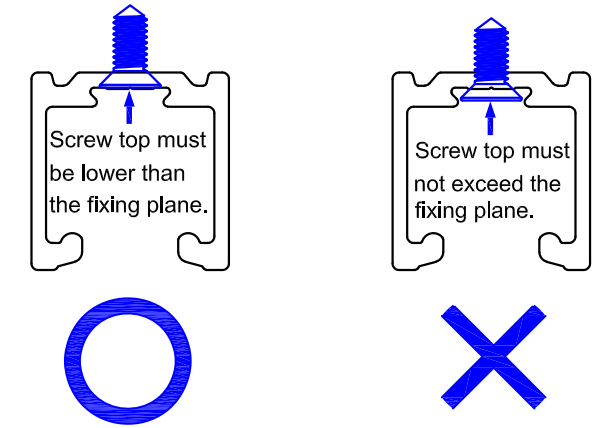


Using the Stop Key:

1. Pull out the soft-close damper about 30 cm before assembling the door. (Open the door about 30 cm before disassembling the door.)
2. Insert the Stop Key to the gap of the automatic door closer.
3. Remove the Stop Key after assembling or disassembling the door to restore automatic door closing function.

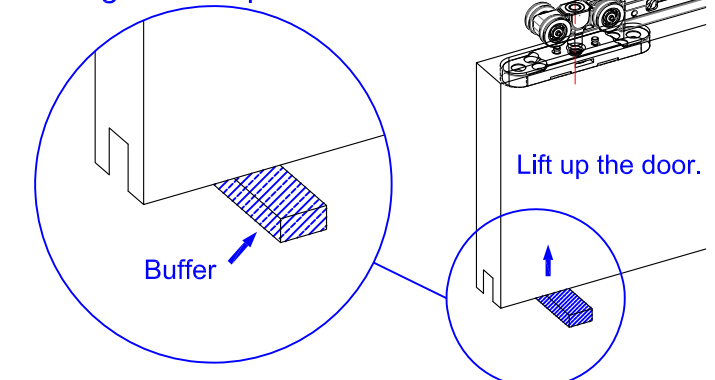


Fixing the rail:

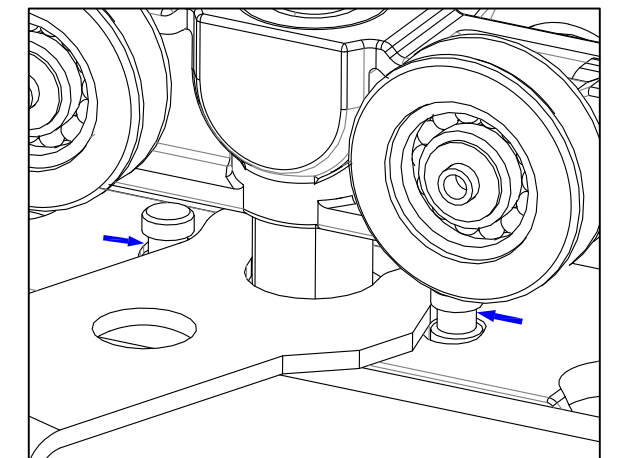


Before disassembling the door:

1. Please place buffer under the gap of the door before disassembling, in order to prevent damage to the quick release base.



2. Please put the wrench between the hanger and the quick release base as the picture shows.



3. Please lift up the door before disassembling.

Turn the wrench clockwise about 8 degrees to disassemble the door.

